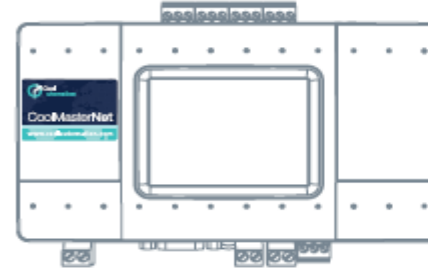


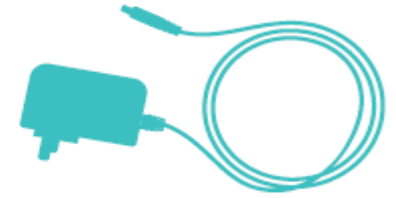
Cloud Gateway (CoolMasterNet)



What's in the box



CoolMasterNet



AC Power supply adapter
100V-240V 50/60hz to 12V DC



Optional
1 RS232 DB9
Male to Female
cable



1 USB-Mini USB
cable



1 Ethernet
cable

1. Max 64 Refrigerant Cycles
2. Max 160 Indoor Units
3. Up to 8 Large Central Controllers can be connected to H-Link
4. Wire for the H-Link AWG18 to AWG16 stranded Copper
5. Max Wire for H-Link 3281ft (1000m)
6. Max Ethernet Wire Length 450FT (137m)
7. Power for the controller is **Min:** 12V(120mA) or 24V(70mA) and **Max:** 12V(200mA) or 24V(120mA)

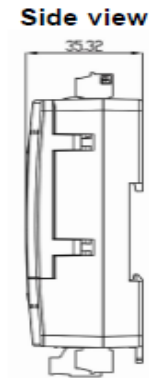
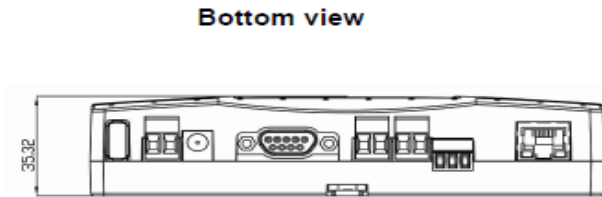
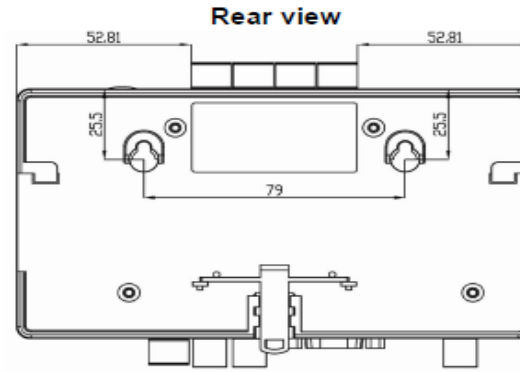
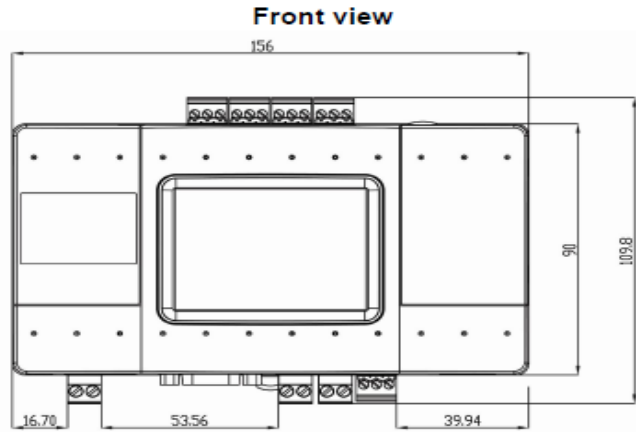
Cloud Gateway (CoolMasterNet)

Specifications

Parameter		Data
Power supply	Min load*	5V/175mA (via mini USB); 12V/120mA; 24V/70mA
	Max load**	5V/300mA (via mini USB); 12V/200mA; 24V/120mA
Mounting		DIN rail / wall
Operating conditions	Ambient temperature	-10°C ~ 60°C / 14°F ~ 140°F
	Humidity	0% ~ 96% non-condensing
Storage conditions	Ambient temperature	-20°C ~ 70°C / -4°F ~ 158°F
	Humidity	0 % ~ 98 % non-condensing
Dimensions	HxWxD	156 x 109.8 x 35.32 [mm] / 6.14 x 4.32 x 1.39 ["]
LCD	Size / # of dots / # of colors	2.8" / 240 x 320 / 262K
Input	Touch panel	8 bit encoded analog input
Communication functions	Direct HVAC connection	Connection to the 2 wired HVAC bus
	MODBUS (A / B)	RS-485 communication line
	Ethernet	100Mbps
	RS-232	DB9, 9600Bps, ASCII
	USB Host	12Mbps
	USB Device	12Mbps
Maximal allowable wiring length (to BMS) over RS232		25 [m] / 82 [ft]
Maximal allowable wiring length (to BMS) over RS485		1000 [m] / 3300 [ft]
Maximal allowable wiring length (to router) over Ethernet		137 [m] / 450 [ft]
Certification		FCC, CE (EN 60335-1, EN 60335-2-40)

Cloud Gateway (CoolMasterNet)

Physical data

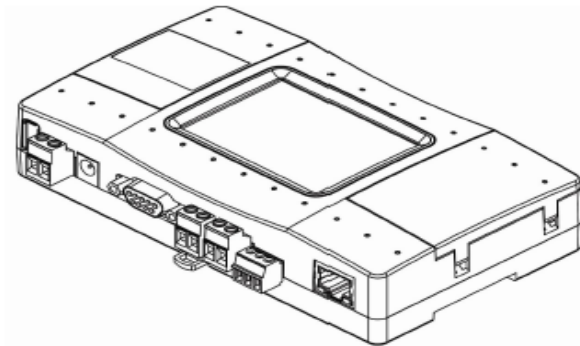


Product dimensions and weight:

Dimensions (HxWxD)	90 x 156 x 35 [mm]	3.54 x 6.14 x 1.33 ["]
Weight	266 [Gram]	0.58 [lbs]

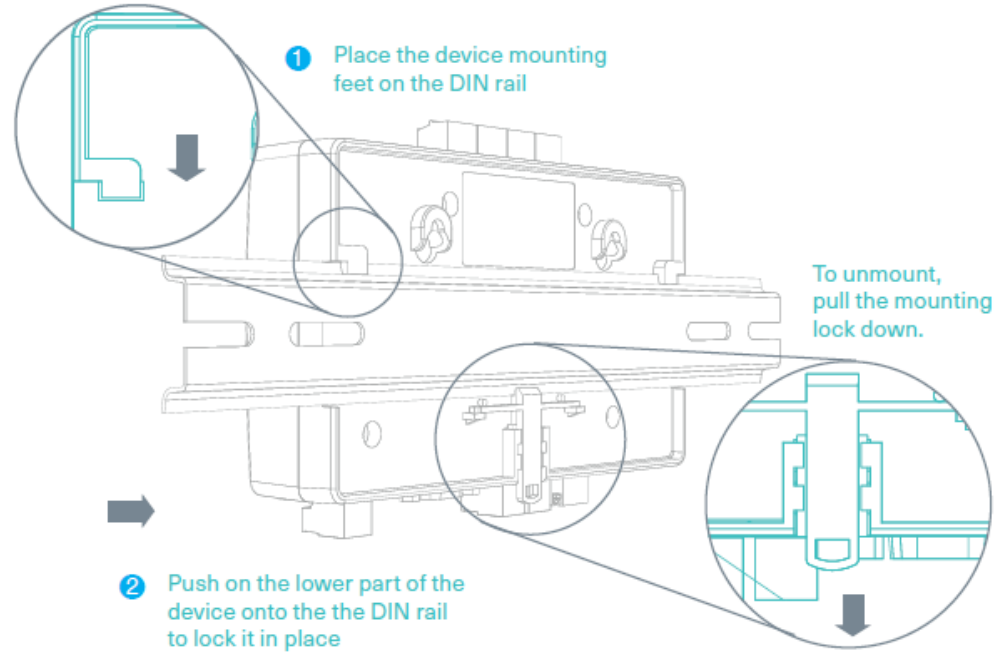
Transportation packing dimensions and weight:

Dimensions (HxWxD)	70x140x280 [mm]	2.75x5.51x11.02 ["]
Weight	800 [Gram]	1.76 [lbs]



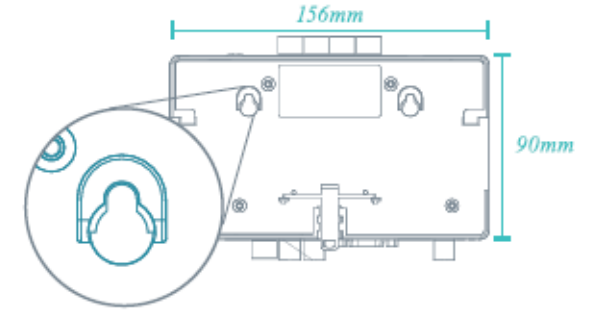
Cloud Gateway (CoolMasterNet)

Mounting on a DIN rail

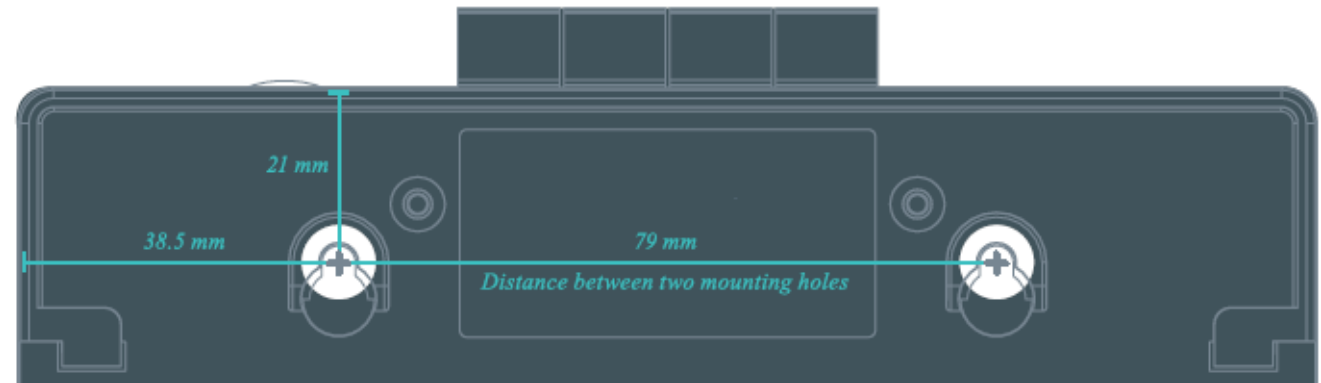


Mounting on a wall

For mounting the CoolMasterNet with wall screws, please see attached template with 1:1 dimensions.

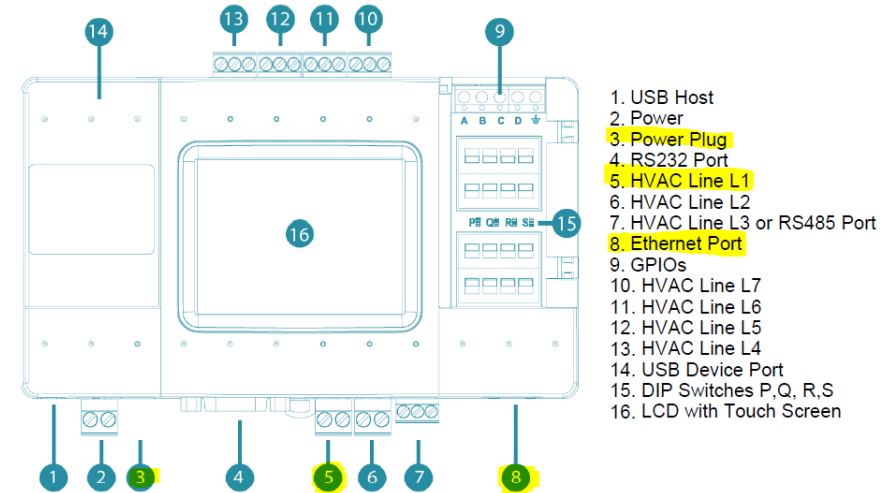
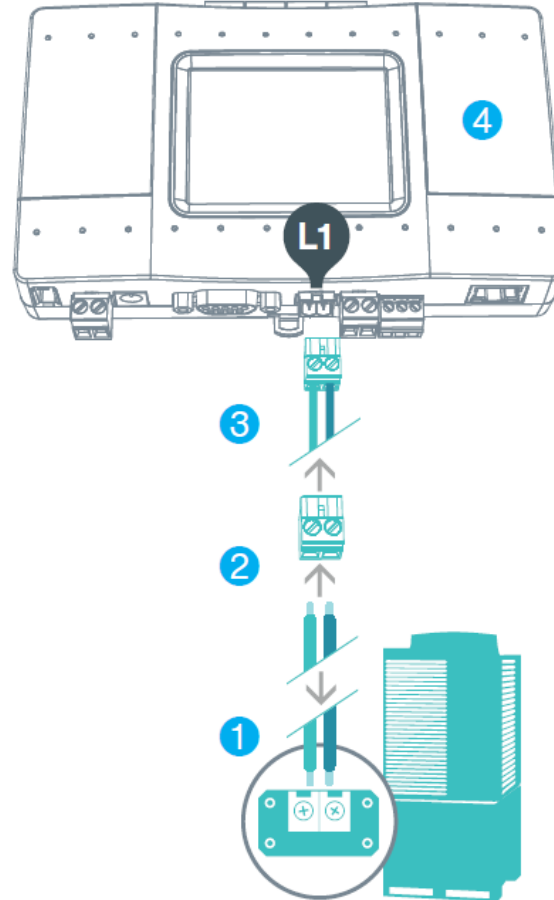
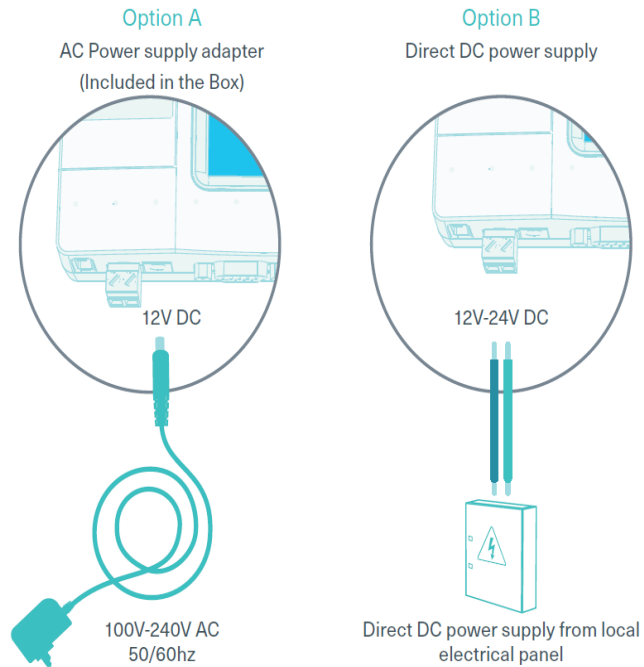


1:1 SCALE MOUNTING TEMPLATE FOR WALL SCREWS

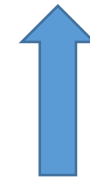


Cloud Gateway (CoolMasterNet)

Power supply



1. USB Host
2. Power
3. Power Plug
4. RS232 Port
5. HVAC Line L1
6. HVAC Line L2
7. HVAC Line L3 or RS485 Port
8. Ethernet Port
9. GPIOs
10. HVAC Line L7
11. HVAC Line L6
12. HVAC Line L5
13. HVAC Line L4
14. USB Device Port
15. DIP Switches P, Q, R, S
16. LCD with Touch Screen



These are only used for York/Hitachi VRF:

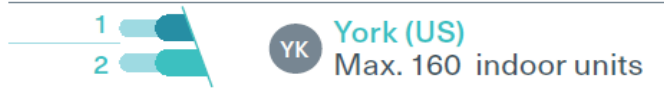
- 3. Plug in power
- 5. (H-Link)
- 8. Ethernet Port

HVAC York (US) VRF — on L1

1 HVAC Communication Terminals

Connect to the communication terminals on the HVAC equipment:

HVAC communication terminal's names*



* For Heat Recovery systems the connection is at outdoor units only.

* Polarity is not required on the HVAC communication line.

2 Connecting to the line plug

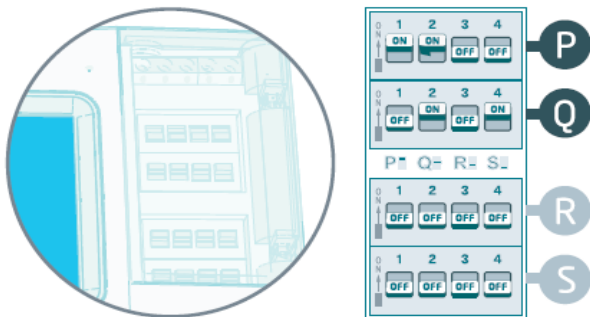
Secure the cables in the L1 line plug.

3 Plugging to the CoolMasterNet

Insert the plug in to the CoolMasterNet L1 socket

4 Check DIP Switches are set correctly

Dip switches setup for VRF HVAC system on L1



CoolMasterNet installation complete

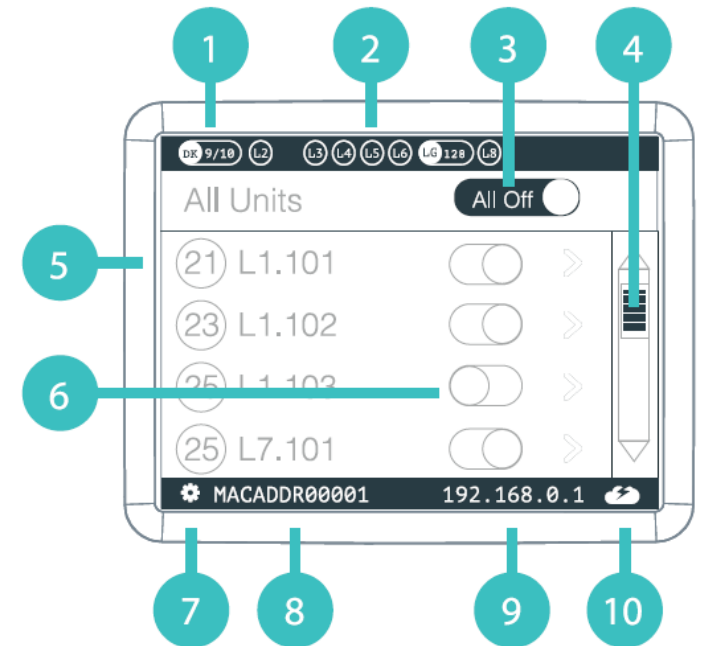


To download the latest firmware www.coolautomation.com/support/coolmasternet
Firmware update FAQ www.coolautomation.com/support/faq/coolmasternet

CoolMasterNet Unit screen

After successful installation, units screen will show all the detected indoor units and their statuses.

- 1 Active HVAC line (DK 9/10) (Groups/Units)
- 2 Inactive HVAC line
- 3 All ON/OFF operation button
- 4 Scrollbar
- 5 Connected indoor unit with it's address and Set-Point temperature indication.
- 6 Indoor unit operation button (on/off)
- 7 Service settings button
- 8 CoolMasterNet MAC address
- 9 CoolMasterNet IP address
- 10 CoolRemote connectivity status
 - Connected - Communicating
 - Connected - Idle
 - Disconnected - with error code

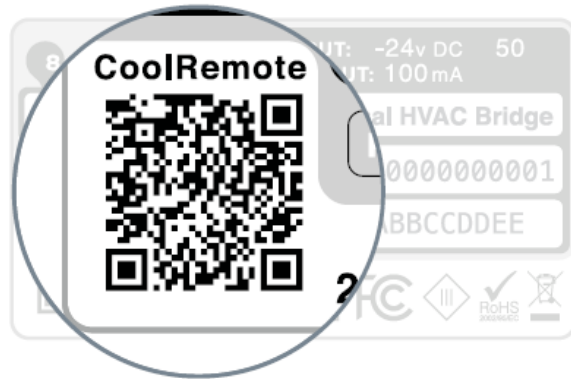


CoolRemote App



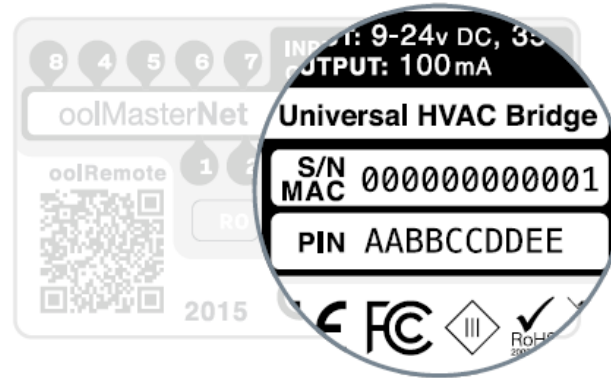
Please connect the device to the Internet for successful registration and setup

Option A - Automatic



- 1 Scan the QR code from the type label to auto fill-in all the CoolMasterNet details for CoolRemote App.
- 2 Register your user-name (email) and password to remotely control & monitor all your HVAC units.

Option B - Manual



- 1 Go to: <https://coolremote.net/register>
- 2 Enter CoolMasterNet S/N number and PIN code, printed on the sticker.
- 3 Register your user-name (email) and password to remotely control & monitor all your HVAC units.

Need more help?

Visit us <http://coolautomation.com/support>
Email us support@coolautomation.com