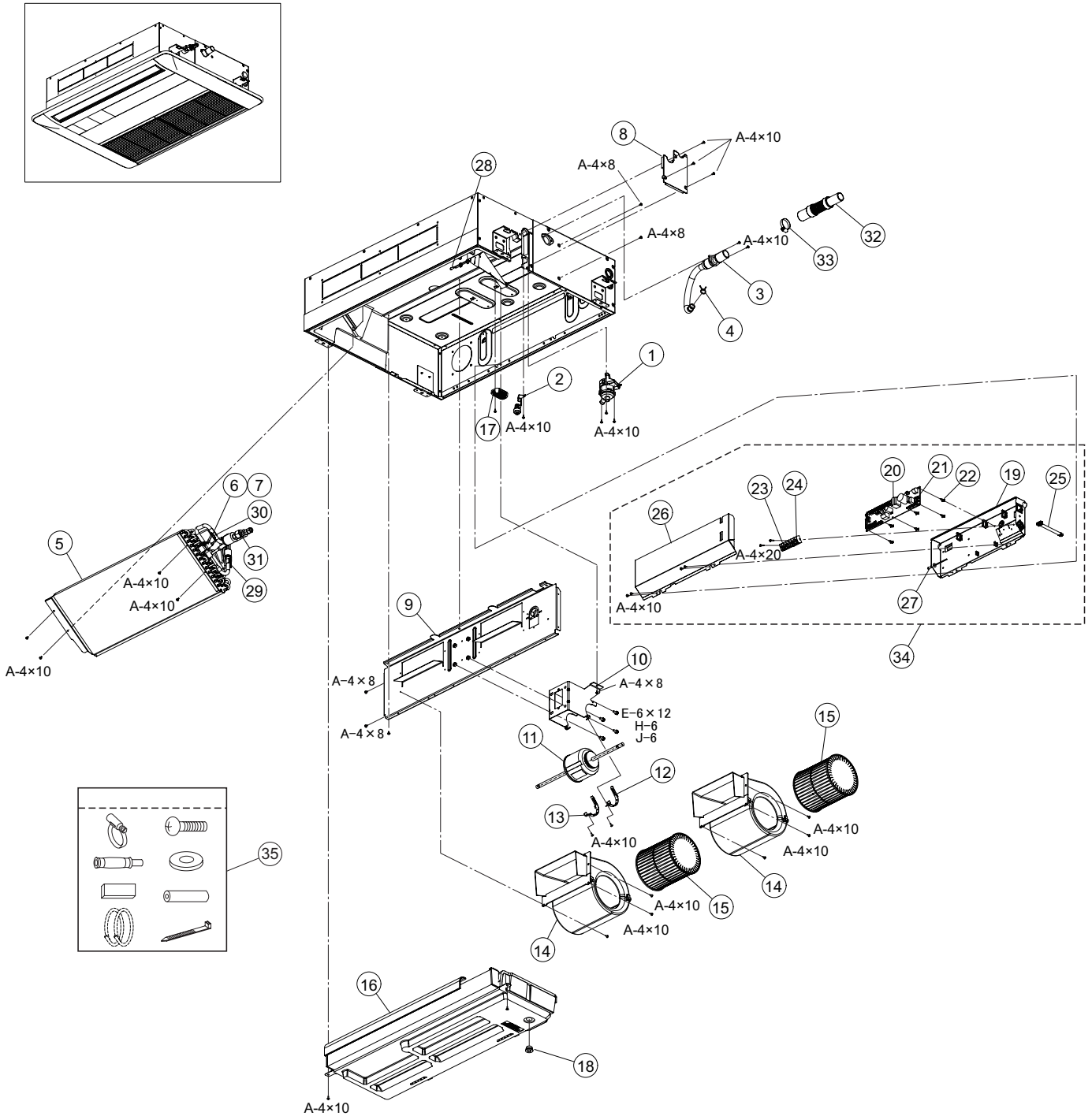


LOCATION OF SERVICE PARTS IN THE UNIT for 1-Way Cassette

MODEL: (H,Y,C)IC1006B21S
 (H,Y,C)IC1008B21S
 (H,Y,C)IC1012B21S
 (H,Y,C)IC1015B21S



A	Truss Head Tapping Screw		F	Stud Bolt	
B	Round Head Screw		G	Nut	
C	Flat Head Screw		H	Washer	
D	Pan Head Tapping Screw		J	Spring Lock Washer	
E	Hexagon Head Bolt		K	Tooth Lock Washer	

NOTE:

A protective coating like zinc is applied to iron and steel for unspecified materials like a bolt or screw.

NOTE:

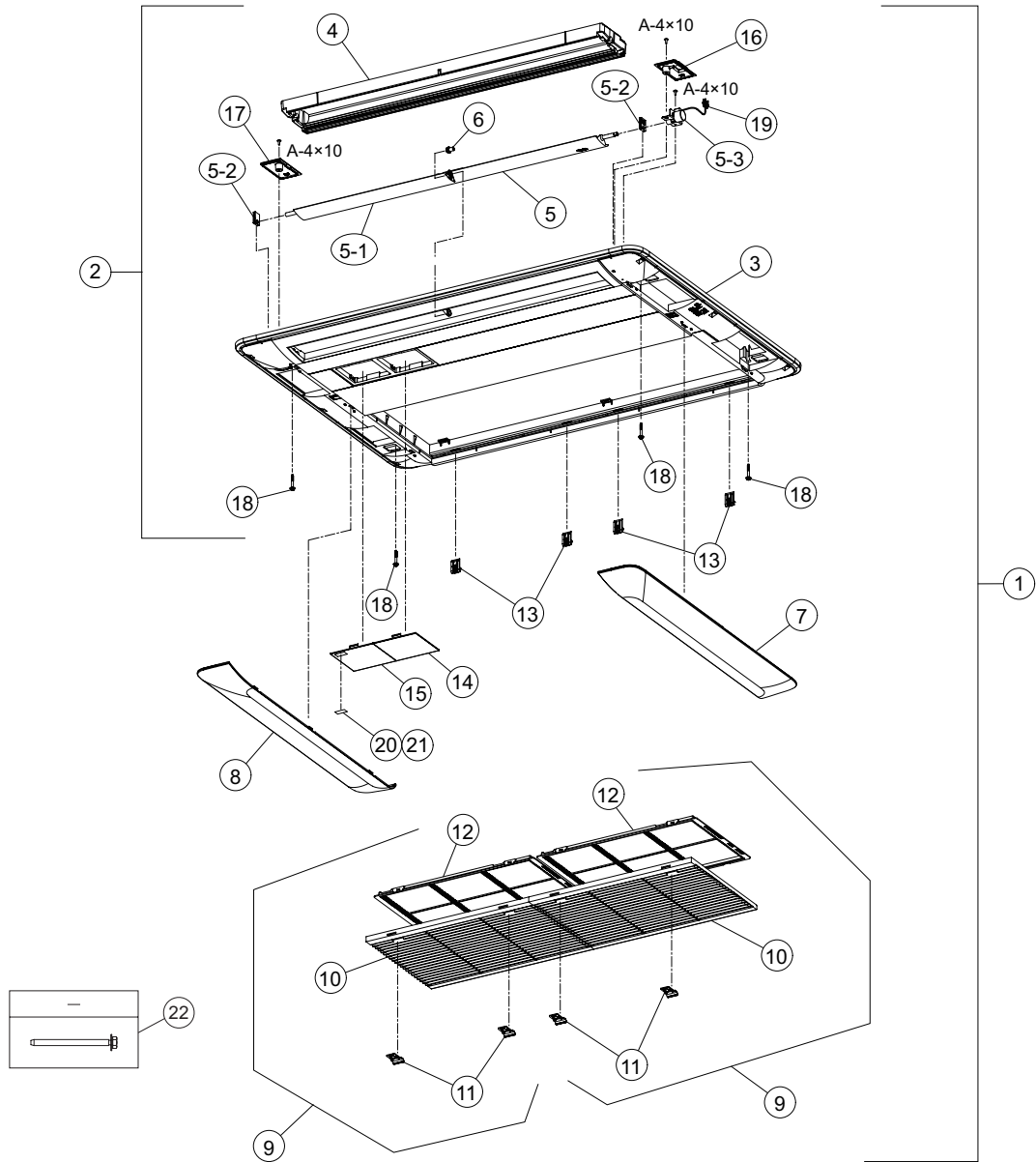
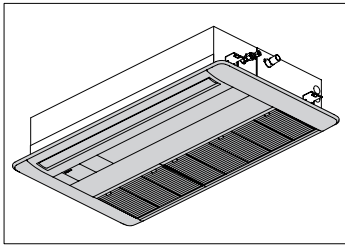
The parts without order number are the custom-ordered, and these are not mentioned in the price list. When ordering them, the part name and the drawing number are required.

Contact your distributor for the delivery date and price of parts.

LOCATION OF SERVICE PARTS IN THE UNIT for 1-Way Cassette

< Decorative Panel (Optional) >

MODEL: P-AP36CNA
P-AP56CNA



A	Truss Head Tapping Screw		F	Stud Bolt	
B	Round Head Screw		G	Nut	
C	Flat Head Screw		H	Washer	
D	Pan Head Tapping Screw		J	Spring Lock Washer	
E	Hexagon Head Bolt		K	Tooth Lock Washer	

NOTE:

A protective coating like zinc is applied to iron and steel for unspecified materials like a bolt or screw.

NOTE:

The parts without order number are the custom-ordered, and these are not mentioned in the price list. When ordering them, the part name and the drawing number are required.

Contact your distributor for the delivery date and price of parts.